

EX74000 Series

Hardened Managed 6-port 10/100BASE (4 x PoE) with 2-port SFP (DDM) Gigabit combo Ethernet Switch



Overview

EtherWAN's EX74000 Series provides a hardened 8-port switching platform supporting IEEE802.3af+ Power over Ethernet, high performance switching with robust management features required for mission-critical and harsh environments where sustained connectivity is crucial.

The EX74000 Series is equipped with four 10/100BASE-TX PoE ports plus two 10/100BASE-TX, and two Gigabit SFP combo port. The high-power PoE ports provide up to 30W/port with a total power budget of 120W, making the switch truly versatile for connecting with PoE Powered Devices (PD) with different bandwidth and power consumption requirements such as outdoor PTZ dome cameras, wireless access points, and way-side communication devices.

The EX74000 Series is equipped with EtherWAN's Alpha-Ring self-healing ring technology providing less than 15ms fault recovery time. Users are able to access management features such as port security, IGMP snooping, port-based VLAN, GARP protocols, link aggregation via web browser, telnet, SSH, SNMP, RMON, TFTP, and RS-232 console interfaces. With the hardened specifications, the EX74000 Series is designed to operate at -40°C to 75°C in harsh environments, where high ESD, shock, and vibration may be present.

EtherWAN — "When Connectivity is Crucial."

Spotlight

• Hardened Grade

- Wide operating temperature range from -40°C to 75°C (-40°F to 167°F) for extreme environments
- Fanless and ruggedized housing
- High shock and electric noise immunity
- Complies with UL508 safety requirements for industrial control devices

• Power over Ethernet

- Port 1 to 4 supports IEEE802.3af+ with 30W max.

• SFP Connectivity

- Provides two Gigabit-SFP combo ports for uplink

Software Features

Management

- Interface
 - CLI, Telnet and Web Browser
 - SNMP v1/v2c/v3
- Firmware and configuration upgrade and backup via TFTP
- Supports DHCP Server/Client
- RMON (Remote monitoring): group 1, 2, 3, 9
- Port mirroring: TX/RX and both
- SFP transceivers support Digital Diagnostics Monitoring (DDM)
- NTP (Network Time Protocol) time synchronization
- IEEE802.1ab LLDP (Link Layer Discovery Protocol)

Security

- MAC address filtering
- Enable/disable port
- Storm control (broadcast and multicast types)
- IEEE802.1x LAN access control
- Remote authentication through RADIUS
- SSH for CLI and Telnet security
- SSL for web security
- Multi-level user account/password against unauthorized configuration
- System log (remote/local)

Quality of Service (QoS)

- Priority Queues: 4 queues per port
- Traffic classification based on IEEE802.1p CoS, DSCP, WRR (Weighted round robin) and strict mode
- Rate Limiting (Ingress/Egress)

Layer 2 Features

- Auto-negotiation for port speed and duplex mode
- Flow Control
 - IEEE802.3x full duplex mode
 - Back-Pressure half duplex mode
- Redundant Protocol
 - IEEE802.1D Spanning Tree Protocol (STP)
 - IEEE802.1w Rapid Spanning Tree Protocol (RSTP)
 - IEEE802.1s Multiple Spanning Tree Protocol (MSTP)
 - EtherWAN's Alpha-Ring network fault recovery (<15ms)
- VLANs
 - Port-based VLANs
 - IEEE802.1Q Tag VLANs (128 groups, 4096 VID)
 - GVRP (GARP VLAN Registration Protocol)
 - GMRP (GARP Multicast Registration Protocol)
- Link Aggregation
 - Static Trunk (2 groups, support MAC base)
 - IEEE802.3ad Link Aggregation Control Protocol
- IGMP Snooping
 - IGMP snooping v1/v2/v3

Performance

- Switching Capability: 5.2Gbps
- Packet Buffer Size: 2M bits
- MAC Address Table: 8192

Hardware Specifications

Technology

Standards

- IEEE802.3 10BASE-T
- IEEE802.3u 100BASE-TX/100BASE-FX
- IEEE802.3ab 1000BASE-T
- IEEE802.3z 1000BASE-SX/1000BASE-LX
- IEEE802.3x Full duplex and flow control
- IEEE802.1p QoS
- IEEE802.1Q Tag VLANs
- IEEE802.1w RSTP
- IEEE802.1x Port-based Network Access Control
- IEEE802.3af Power over Ethernet (PoE)

Forward and Filtering Rate

- 14,880pps for 10Mbps
- 148,810pps for 100Mbps
- 1,488,100pps for 1000Mbps

Packet Buffer Memory

- 2M bits

Processing Type

- Store-and-Forward
- Auto Negotiation
- Half-duplex back-pressure and IEEE802.3x full-duplex flow control
- Auto MDI/MDIX

Address Table Size

- 8192 MAC addresses

Power

Input Voltage

- Terminal Block: 47 to 57VDC

Power Consumption

- Device: Max. 17.7W (without PoE)
- PoE power budget (depends on power input): 120W Max.

PoE Power Output

- Port 1 to 4
- IEEE802.3af: up to 15.4W/port, 47 - 57VDC
- IEEE802.3af+: up to 30W/port, 50 - 57VDC

Protection

- Overload current protection
- Reverse polarity protection

Mechanical

Casing

- Metal Case
- IP30

Dimensions

- 200mm (W) x 134mm (D) x 50mm (H)
(7.87" (W) x 5.2" (D) x 1.97" (H))

Weight

- 1.5Kg (7.7lbs.)

Installation

- Panel or Rack mounting

Interface

Ethernet Port

- 10/100BASE-TX: 6 ports
- Gigabit SFP (DDM): 2 ports

Console Port

- Port: One DB9 RS-232 port

LED Indicators

- Per Unit: Power Status
- Per port 10/100TX PoE (Orange)
- Per port 10/100TX, 100FX: Link/Activity (Green)
- Per port Gigabit/SFP: Link/Activity (Green)

Environment

Operating Temperature

- -40°C to 75°C (-40°F to 167°F)
Tested @ -40°C to 85°C (-40°F to 185°F)

Storage Temperature

- -45°C to 85°C (-49°F to 185°F)

Ambient Relative Humidity

- 5% to 95% (non-condensing)

Regulatory Approvals

ISO

- Manufactured in an ISO9001 facility

EMI

FCC Part 15B, Class A

EN61000-6-4

EN55022

EN61000-3-2

EN61000-3-3

EMS

EN61000-6-2

- EN61000-4-2 (ESD Standards)
- EN61000-4-3 (Radiated RFI Standards)
- EN61000-4-4 (Burst Standards)
- EN61000-4-5 (Surge Standards)
- EN61000-4-6 (Induced RFI Standards)
- EN61000-4-8 (Magnetic Field Standards)

Environmental Test Compliance

IEC60068-2-6 Fc (Vibration)

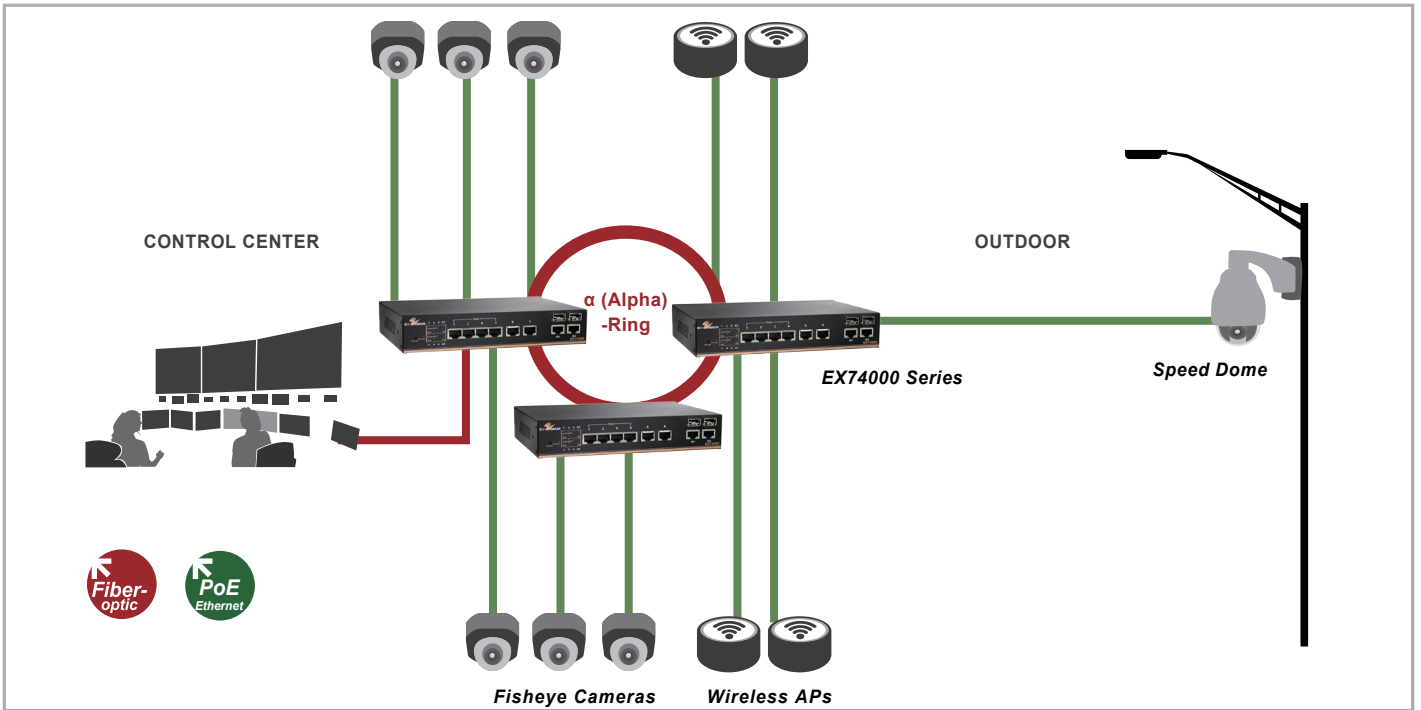
IEC60068-2-27 Ea (Shock)

IEC60068-2-32 Ed (Free fall)

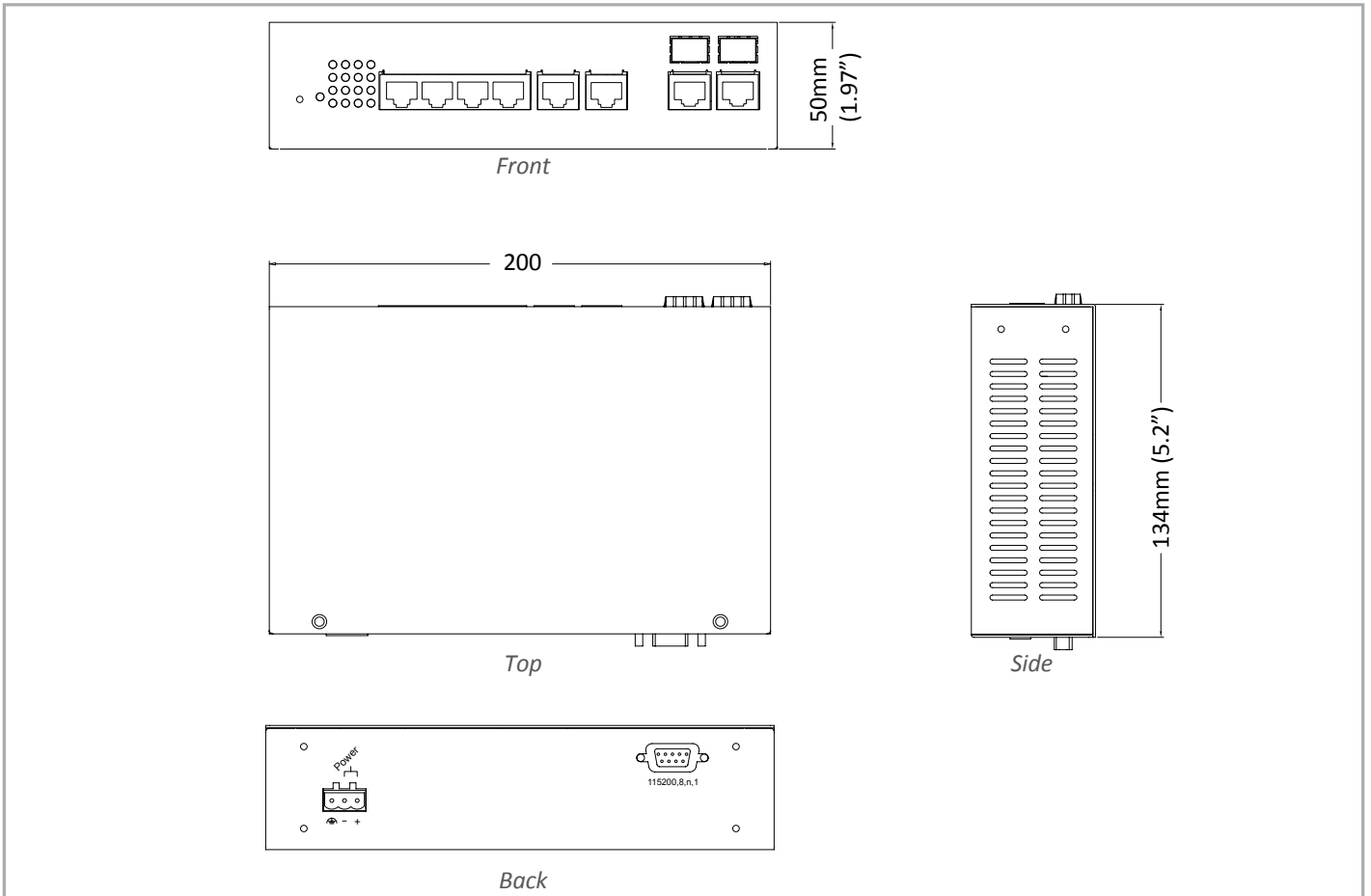
Industrial Compliance

NEMA TS2

Application Diagram



Dimensions



Ordering Information

Model

EX74X62-0VT	6-port 10/100BASE-TX + 2-port Gigabit SFP (DDM) combo Hardened Managed Ethernet Switch (Terminal Block Input)
--------------------	---

PoE Options (X)

0	Non-PoE
1	15.4W (4-port 802.3af)
2	30W (4-port 802.3af+ 30W)

Optional Accessories

KP-BK6212	Panel mounting kit
DD-85-48	85W/1.78A 48VDC Industrial Power Supply (<i>for 15.4W 802.3af</i>)
DR-75-48	75W/1.6A DIN-Rail 48VDC Industrial Power Supply (<i>for 15.4W 802.3af</i>)
DR-120-48	120W/2.5A DIN-Rail 48VDC Industrial Power Supply (<i>for 15.4W 802.3af</i>)
SDR-240-48	240W/5A DIN-Rail 48VDC Industrial Power Supply (<i>for 30W 802.3af+</i>)